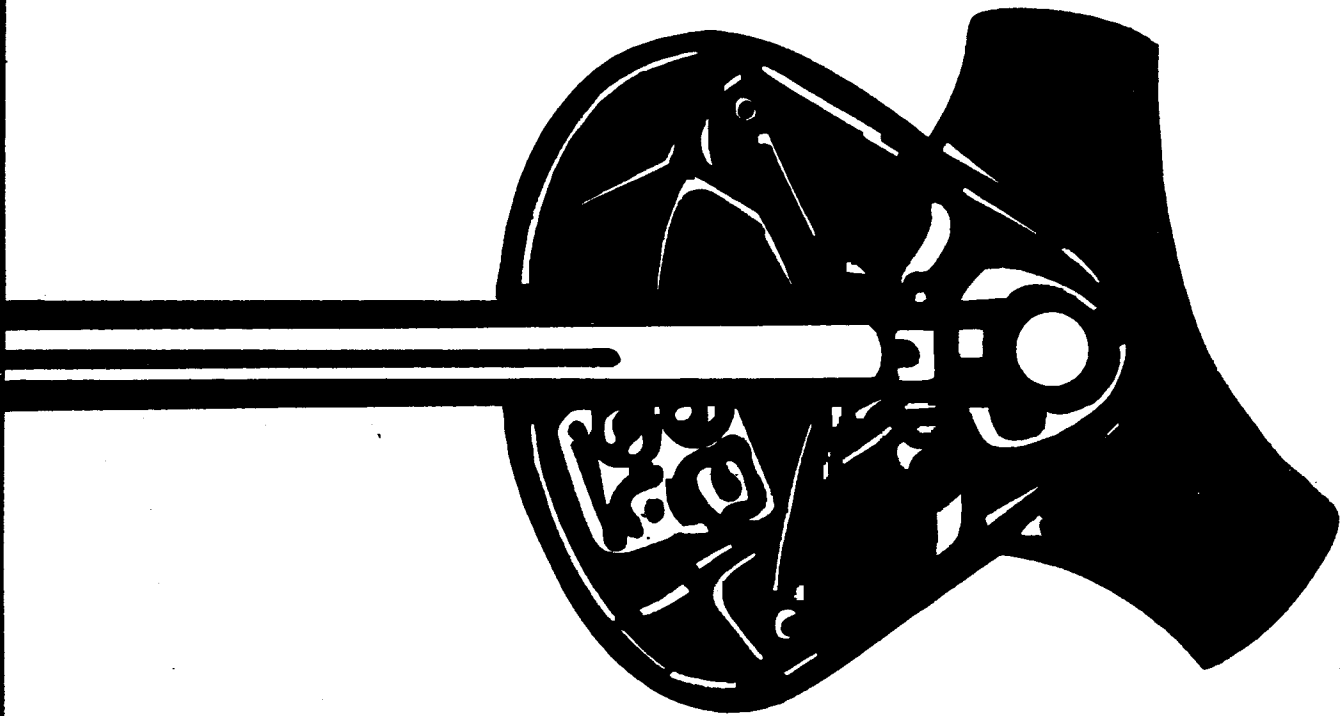


# BRUSH CUTTER BC-30



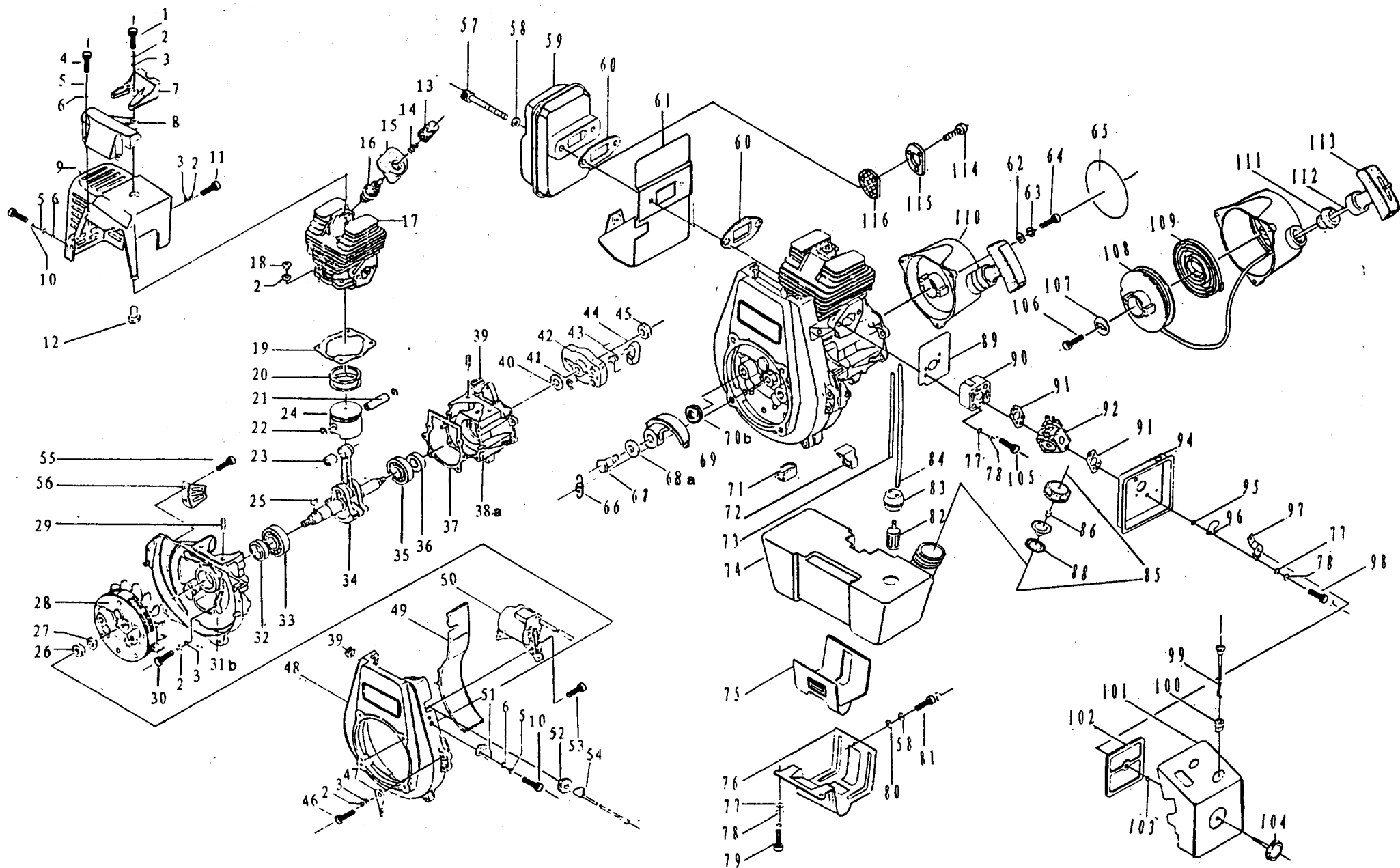
## PARTS BREAKDOWN

**Fradan Manufacturing Corp.**

499 Fifth Avenue, New Rochelle, NY 10801

Phone (914) 632-3769 • Fax (914) 632-1652

# ENGINE ASSEMBLY



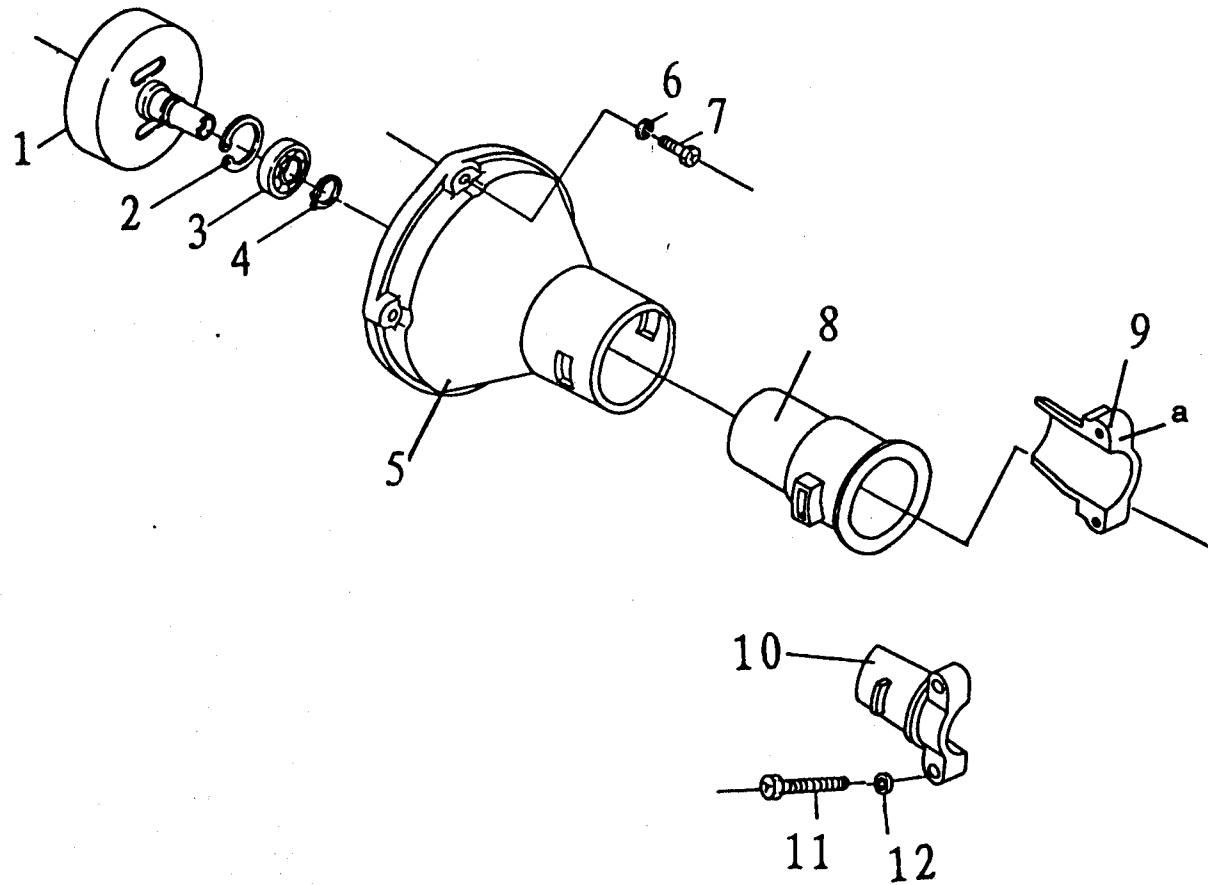
# ENGINE ASSEMBLY

KEY#	PART NO.	DESCRIPTION	QTY.
1	900-169-000	BOLT 5x12 mm	4
2	900-211-000	LOCKWASHER 5 mm	10
3	900-191-000	FLATWASHER 5 mm	10
4	900-199-000	BOLT 4x16 mm	5
5	900-200-000	LOCKWASHER 4 mm	5
6	900-201-000	FLATWAHER 4 mm	5
7	710-013-555-0	SPARK PLUG GUARD	1
8	710-012-555-0	ARM GUARD	1
9	146-101-555-0	ENGINE COVER	1
10	900-202-000	BOLT 4x10 mm	3
11	900-169-000	BOLT 5x12 mm	4
12	900-203-000	SHOULDER NUT	1
13	165-002-555-0	SPARKPLUG BOOT	1
14	165-108-444-0	SPARK PLUG SPRING	1
15	165-001-555-0	SPARK PLUG GROMMET	1
16	165-000-555-0	SPARK PLUG	1
17	111-100-555-0	CYLINDER	1
18	900-204-000	NUT 5 mm	5
19	801-101-555-0	CYLINDER BASE GASKET	1
20	111-103-555-0	PISTON RING SET	1
21	111-104-555-0	WRIST PIN	1
22	111-105-555-0	WRIST PIN CLIP	2
23	999-106-000-0	BEARING WRIST PIN	1
24	111-106-555-0	PISTON	1
25	900-205-000	WOODRUF KEY 3x5x13	1
26	900-206-000	NUT 8 mm	2
27	900-194-000	FLAT WASHER 8 mm	2
28	165-103-555-0	ROTOR MAGNETO	1
29	900-193-000	STUD	4
30	900-133-000	BOLT 5x30 mm	4
31B	111-001-555-0	CRANK CASE	1
32	135-101-000-0	OIL SEAL	1
33	999-101-000-0	BEARING	1
34	111-000-555-0	CRANK SHAFT ASSEMBLY	1
35	999-105-000-0	BEARING	1
36	135-103-000-0	OIL SEAL	1
37	801-109-555-0	GASKET CRANK CASE	1
38A	111-002-55-0	CRANK CASE	1
39	321-106-555-0	GROMMET	2
40	900-194-000	FLAT WASHER 8 mm	2
41	900-195-000	CLIP #4	1
42	177-005-555-0	PAWL HOLDER	1
43	177-006-555-0	SPRING PAWL	1
44	177-009-555-0	STARTER PAWL	1
45	900-206-000-1	NUT 8 mm	2
46	900-142-000	BOLT 5x20 mm	4
47	165-006-555-0	GROUND BAR	1

KEY#	PART NO.	DESCRIPTION	QTY.
48	200-001-555-0	FAN COVER	1
49	200-002-555-0	AIR DEFLECTOR	1
50	165-109-555-0	IGNITION COIL	1
51	178-009-555-0	CABLE BRACKET	1
52	321-101-555-0	GROMMET	1
53	900-207-000	BOLT 4x20 mm	2
54	165-003-555-0	STOP WIRE	1
55	900-208-000	BOLT 5x8 mm	2
56	710-014-555-0	GUARD	1
57	900-209-000	BOLT 6x16 mm	2
58	900-210-000	LOCK WASHER 6 mm	3
59	145-000-555-0	MUFFLER ASSEMBLY Includes 114 -115 - 116	1
60	801-108-555-0	MUFFLER GASKET	2
61	146-102-555-0	HEAT SHIELD MUFFLER	2
62	900-201-000	FLAT WASHER 4 mm	5
63	900-200-000	LOCK WASHER 4 mm	5
64	900-199-000	BOLT 4x16 mm	5
65	800-124-555-0	LOGO STARTER	1
66	133-006-555-0	CLUTCH SPRING	1
67	133-007-555-0	SHOULD BOLT	2
68	133-008-555-0	SPACER	2
69	133-009-555-0	CLUTCH SHOE SET	1
70	133-010-555-0	WASHER	2
71	321-102-555-0	GROMMET	2
72	321-103-555-0	GROMMET	1
73	222-116-555-0	PURGE LINE	1
74	222-111-555-0	FUEL TANK INCLUDES	1
75	222-114-555-0	FUEL TANK ISOLATOR	1
76	222-113-555-0	FUEL TANK BRACKET	1
77	900-191-000	WASHER 5 mm	18
78	900-211-000	LOCK WASHER 5 mm	18
79	900-169-000	BOLT 5x12 mm	4
80	900-212-000	FLAT WASHER 6 mm	1
81	900-213-000	BOLT 6x12 mm	1
82	222-112-555-0	FUEL FILTER	1
83	321-104-555-0	GROMMET	1
84	222-115-555-0	FUEL LINE	1
85	222-000-444-0	FUEL CAP ASSEMBLY	1
86	222-101-444-0	CHECK VALVE	1
88	222-102-444-0	GASKET FUEL CAP	1
89	801-105-555-0	ISOLATOR GASKET	1
90	700-101-555-0	ISOLATOR BLOCK	1
91	801-009-555-0	CARBURETOR GASKET	2
92	123-000-555-0	CARBURETOR ASSEMBLY	1
93	801-009-555-0	FILTER BOX GASKET	2
94	130-101-555-0	FILTER BOX	1

KEY#	PART NO.	DESCRIPTION	QTY.
95	900-196-000	SPACER 5 mm	2
96	130-102-555-0	CHOKE SHUTTER	1
97	130-112-555-0	SPLASH BRACKET	1
98	900-197-000	BOLT 5x45 mm	2
99	300-104-555-0	CHOKE LEAVER	1
100	321-105-555-0	GROMMET	1
101	130-106-555-0	FILTER COVER	1
102	130-107-555-0	AIRFILTER ELEMENT	1
103	905-120-000	O RING	1
104	130-140-555-0	FILTER KNOB	1
105	900-167-000	BOLT 5x25 mm	2
106	900-198-000	BOLT 5x12 mm	1
107	177-004-555-0	WASHER STARTER	1
108	177-003-555-0	ROPE PULLEY	1
109	177-002-555-0	STARTER SPRING	1
110	177-000-555-0	STARTER ASSEMBLY	1
111	117-001-555-0	ROPE GUIDE	1
112	177-008-555-0	STARTER ROPE	1
113	177-007-555-0	STARTER GRIP	1
114	900-175-000	BOLT 3x8 mm STAINLESS	3
115	145-001-555-0	PLATE	1
116	145-002-555-0	SPARK ARESTOR	1
117	801-111-555-0	GASKET KIT <i>(Includes rings set)</i>	1

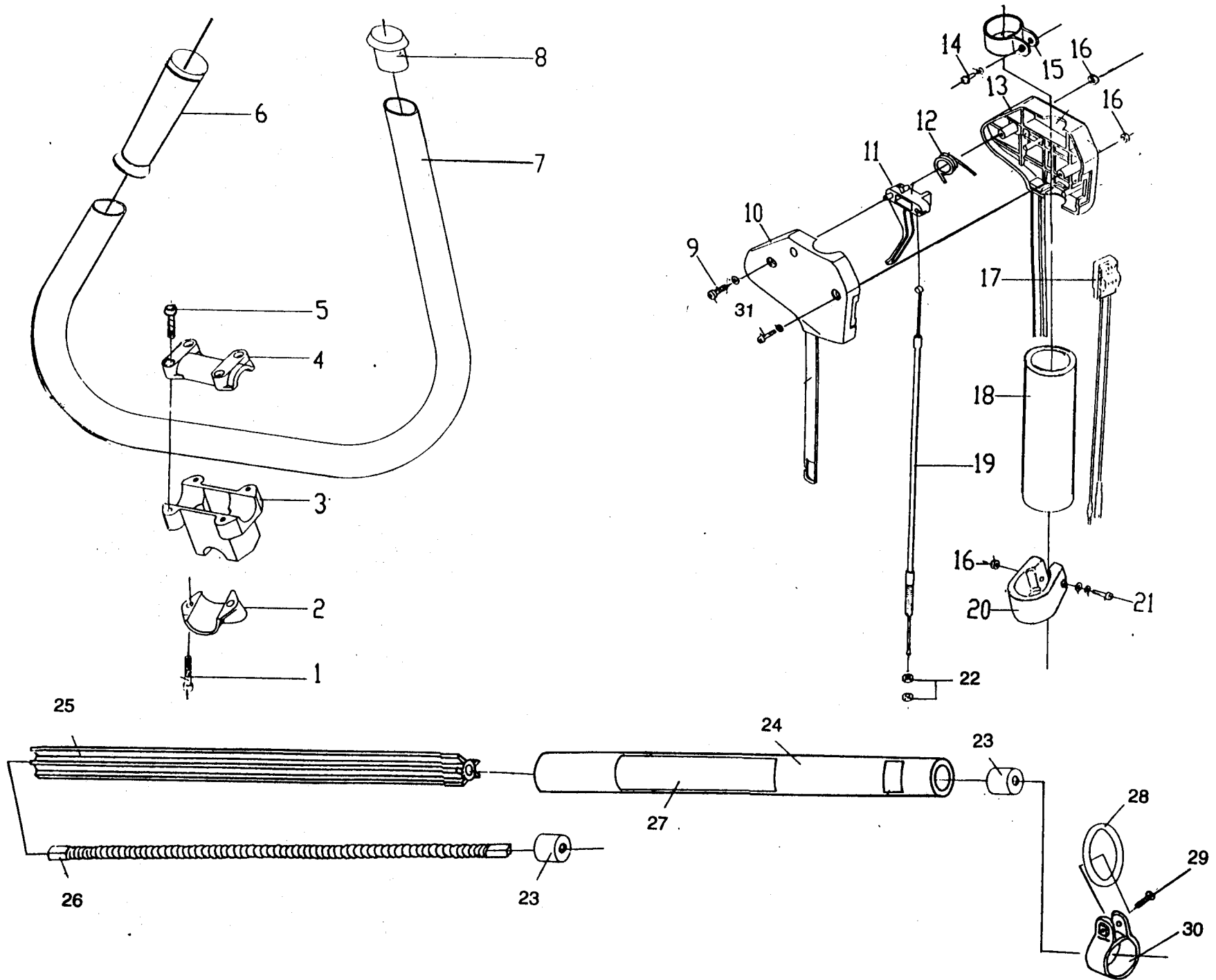
# CLUTCH DRUM & HOUSING



# CLUTCH DRUM & HOUSING BC-30

KEY#	PART NO.	DESCRIPTION	QTY.
1	133-001-555-0	CLUTCH DRUM	1
2	900-176-000	SNAP RING	1
3	999-102-000-0	BEARING	1
4	900-177-000	SNAP RING	1
5	133-002-555-0	CLUTCH HOUSING	1
6	900-210-000	LOCK WASHER 6 mm	4
7	900-178-000	BOLT 6x20 mm	4
8	133-003-555-0	VIBRATION ISOLATOR	1
9	133-004-555-0	ISOLATOR BRACKET A	1
10	133-005-555-0	ISOLATOR BRACKET B	1
11	900-143-000	BOLT 5x25 mm	2
12	900-211-000	LOCK WASHERS mm	2

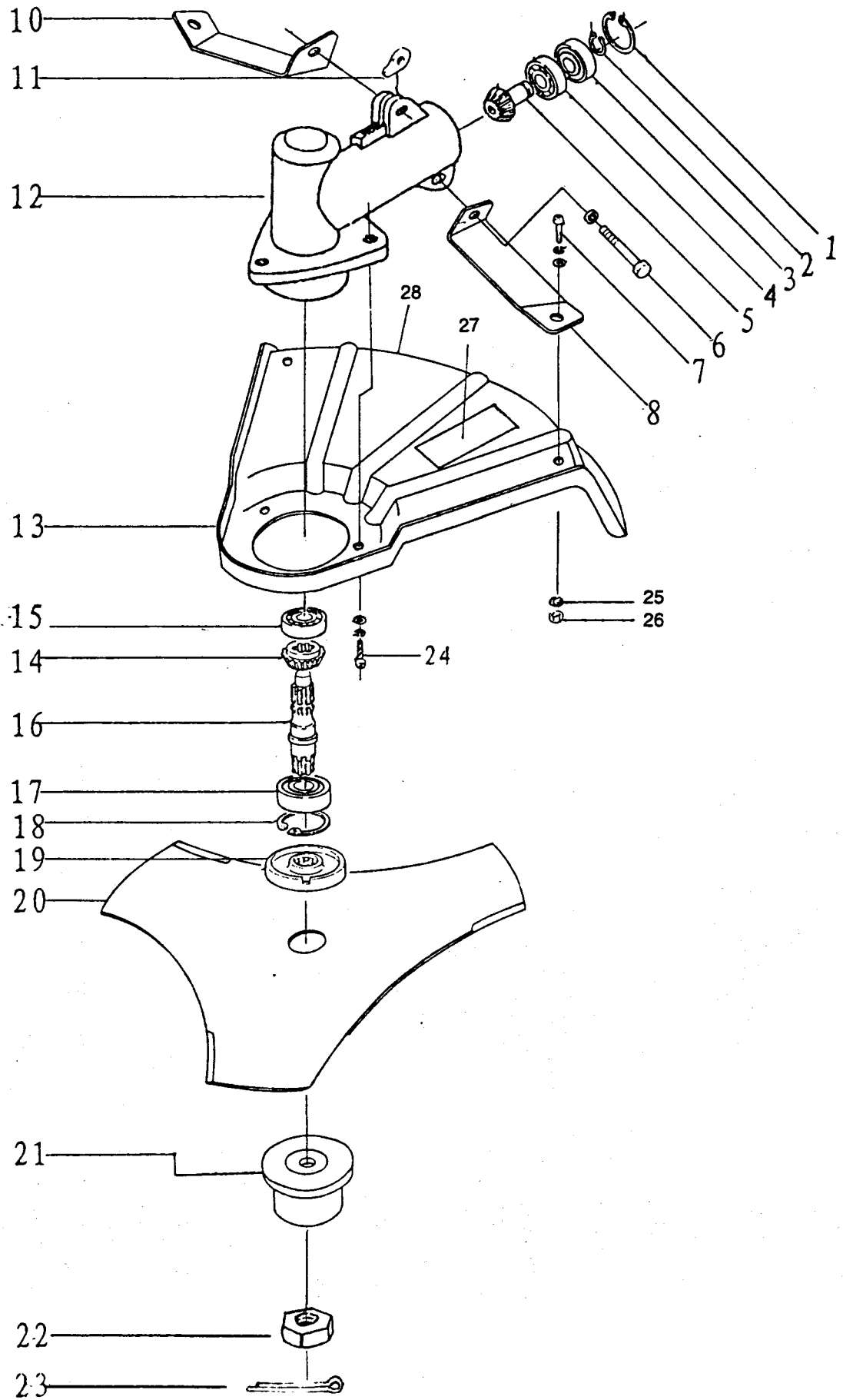
# THROTTLE & SHAFT ASSEMBLY BC-30



# THROTTLE & SHAFT ASSEMBLY BC-30

KEY#	PART NO.	DESCRIPTION	QTY.
1	900-179-000	BOLT 6x25 mm	6
2	600-012-555-0	LOWER CLAMP	1
3	600-014-555-0	CENTER CLAMP	1
4	600-014-555-0	UPPER CLAMP	1
5	900-179-000	BOLT 6x25 mm	6
6	800-015-555-0	HANDLE GRIP	1
7	600-016-555-0	HANDLE BAR	1
8	600-007-555-0	PLUG	1
9	900-182-000	SCREW 5x30 mm	1
10	178-001-555-0	THROTTLE CASE	1
11	178-003-555-0	THROTTLE LEAVER	1
12	178-004-555-0	THROTTLE SPRING	1
13	178-002-555-0	THROTTLE CASE	1
14	900-183-000	BOLT 5x12 mm	1
15	178-005-555-0	CLAMP	1
16	900-160-000-1	NUT 5 mm	3
17	165-004-555-0	STOP SWITCH	1
18	600-003-555-0	GRIP	1
19	300-002-555-0	THROTTLE CABLE	1
20	178-008-555-0	CLAMP	1
21	900-133-000	BOLT 5x30 mm	1
22	900-147-000	NUT 6 mm	2
23	500-116-555-0	RUBBER BUSHING	2
24	500-006-555-0	SHAFT HOUSING	1
25	500-001-555-0	LINER	1
26	500-004-555-0	FLEXIBLE SHAFT	1
27	800-118-555-0	SAFETY GRAPHICS	1
28	750-004-555-0	RING	1
29	900-142-000	BOLT 5x20 mm	1
30	750-005-555-0	CLAMP	1
31	900-187-000	SCREW 5x35 mm	1

# GEAR BOX & BLADE BC-30





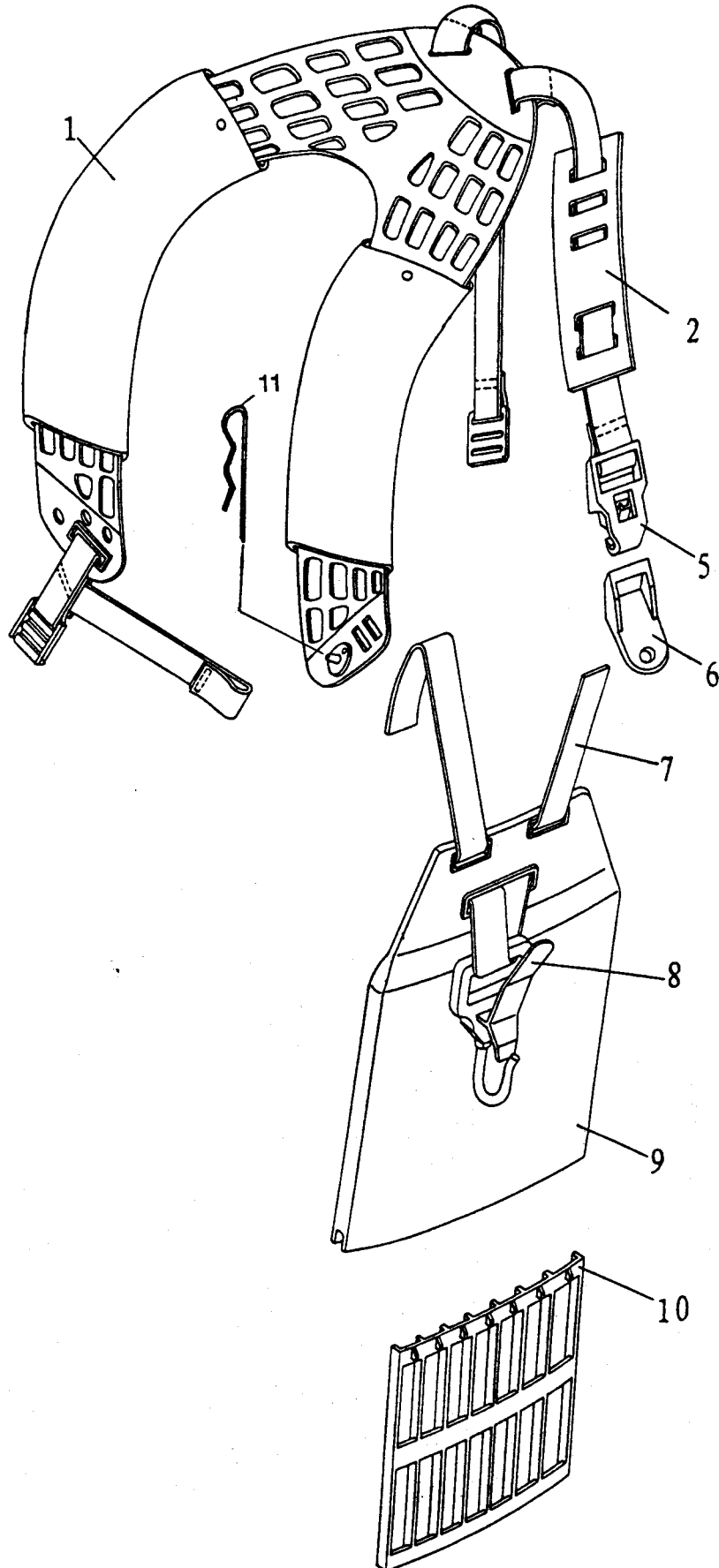
# GEAR BOX & BLADE BC-30

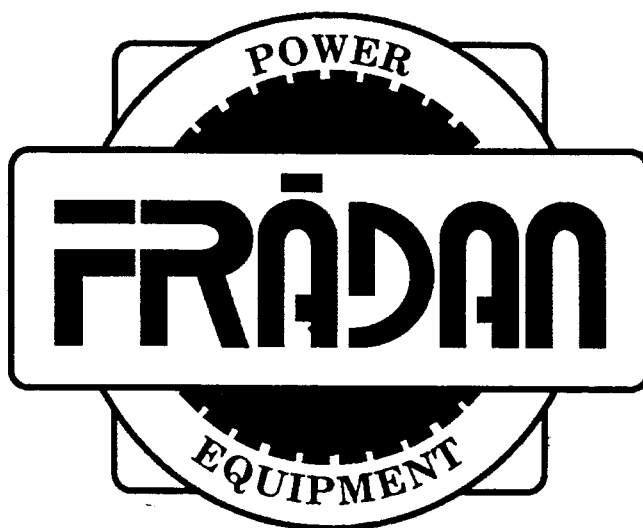
KEY#	PART NO.	DESCRIPTION	QTY.
	<b>775-000-555-0</b>	<b>GEAR BOX ASSEMBLY</b>	<b>1</b>
1	900-180-000	SNAP RING	1
2	900-181-000	SNAP RING	1
3	999-103-000-0	BEARING	3
5	775-001-555-0	GEAR SET <i>including (14)</i>	1
6	900-187-000	BOLT 5x35 mm	1
7	900-143-000	BOLT 5x10 mm	5
8	710-001-555-0	BRACKET L.H.	1
10	710-002-555-0	BRACKET R.H.	1
11	775-002-555-0	SHIM	2
12	775-003-555-0	GEAR CASE	1
13	710-003-555-0	GUARD SAFETY	1
14	775-004-555-0	GEAR SET <i>including (5)</i>	1
15	999-103-000-0	BEARING	3
16	775-005-555-0	SHAFT	1
17	999-104-000-0	BEARING	1
18	900-188-000	SNAP RING	1
19	775-006-555-0	SPLINED WASHER	1
20	550-001-555-0	TRI-BLADE	1
21	775-007-555-0	LOWER BLADE WASHER	1
22	900-189-000	NUT 10 mm 1.25 L.H.	1
23	900-190-000	COTTER PIN	1
24	900-143-000	BOLT 5x10 mm	5
25	900-191-000	WASHER 5 mm	5
26	900-160-000-1	NUT 5 mm	3
27	800-117-555-0	SAFETY DECAL	1
28	800-123-555-0	ROTATION DECAL	1

# HARNESS ASSEMBLY

KEY#	PART NO.	DESCRIPTION	QTY.
	<b>750-000-555-0</b>	<b>HARNESS ASSEMBLY</b>	
1	750-006-555-0	PAD	2
2	750-007-555-0	PAD (SIDE)	1
5	750-000-555	RELEASING HOOK	1
6	750-003-555-0	CLIP	1
7	750-013-555-0	STRAP	1
8	750-012-555-0	HOLDING HOOK	1
9	750-002-555-0	THIGH PAD	1
10	750-001-555-0	GRILL	1
11	400-220-000	HITCH PIN	1

# HARNESS ASSEMBLY





**Gather the following information before ordering replacement parts:**

- The model and serial number of your machine.
- The quantity of parts needed.
- The part number (not the KEY number)